

Gross Power
155 HP (116 kW) / 2,200 rpm

Net Power
154 HP (115 kW) / 2,200 rpm

Bucket Capacity
2.3 m³ (3.0 yd³)

Operating Weight
13,800 kg (30,425 lb)

HL940A TM

With EU Stage V Engine installed

▲ HYUNDAI CONSTRUCTION EQUIPMENT

Head Office(Sales Office)

3F, Bundang First Tower, 55 Bundang-ro, Bundang-gu, Seongnam-si, Gyeonggi-do, 13591, Korea

Americas Operation : Hyundai Construction Equipment Americas, Inc.

6100 Atlantic Boulevard Norcross Ga 30071 U.S.A
TEL (1) 847-678-823-7802 FAX (1) 847-678-823-7778

Europe Operation : Hyundai Construction Equipment Europe N.V.

Hyundailaan 4,
3980 Tessenderlo, Belgium
TEL (32) 14-56-2200 FAX (32) 14-59-3405

PLEASE CONTACT



SPECIFICATIONS

ENGINE	
Maker / Model	CUMMINS / B6.7 / EU Stage V
Type	4-cycle, turbocharged charge aircooled, direct injection, electronic controlled, diesel engine.
Gross Power (SAE J1995)	155 HP (116 kW) at 2,200 rpm
Net Power (SAE J1349)	154 HP (115 kW) at 2,200 rpm
Max. Power	165 HP (123 kW) at 1,800 rpm
Peak Gross Torque (SAE J1995)	746 N·m (550 lb.ft) at 1,300 rpm
Displacement	6.7 l (409 cu in)
Cooling method	Water Cooling
Number of cylinders and arrangement	6 cylinders, in line
Firing order	1-5-3-6-2-4
Combustion chamber type	Direct injection type
Cylinder bore x stroke	107 x 124 mm (4.2" x 4.9")
Compression ratio	17.3 : 1
Engine oil quantity	18 l (4.8 U.S. gal)
Wet weight	583 kg (1,285lb)
Starter motor	24V - 7.8kW
Alternator	24V - 95Amp
Battery	2 x 12V x 120Ah

HYDRAULIC SYSTEM (MAIN PUMP)	
Type	Load sensing hydraulic system
Pump	Variable displacement piston pump
Rated oil quantity	149 l /min (39.4 U.S. gpm)
Control Valve	2 Spool (Bucket, Boom) 3 Spool (Bucket, Boom, Aux)
System Pressure	280 bar (4,061 psi)
Lift Circuit	The valve has four functions: Raise / Hold / Lower / Float adjustable automatic kickout from horizontal to full lift.
Tilt Circuit	The valve has three functions: Tilt back / Hold / Dump adjustable automatic bucket positioner to desired load angle.
Cylinder	Type: double acting No. of cylinders-bore x stroke Lift 2-110 x 738 mm (4.3" x 2' 5") Tilt 2-95 x 745 mm (3.7" x 2' 5")
Cycle Time	Raise : 5.5 Sec. / Dump : 1.9 Sec. Lower : 3.9 Sec. / Total : 11.3 Sec.

* Hyundai Bio Hydraulic Oil (HBHO) available

TRANSMISSION		
Model	ZF 4WG 160	
4-speed transmission	Torque Converter Type	3-Elements, Single-stage, Single-phase
	Transmission	Full-automatic power shift
Travel Speed	4 speed T/M km/h (mph)	
Forward	1st	7.0 (4.3)
	2nd	12.8 (8.0)
	3rd	25.1 (15.6)
	4th	40.0 (24.9)
Reverse	1st	7.4 (4.6)
	2nd	13.5 (8.4)
	3rd	26.4 (16.4)
Brake Distance	13 m	(42' 8" ft/in)

* This is the maximum travel speed of a standard machine with unfilled bucket.

AXLES	
Drive System	Four-wheel drive system
Mount	Fixed
Rear Axle Oscillation	Oscillating ±11 degrees
Hub Reduction	Planetary reduction at wheel end
Differential	Conventional
Reduction Ratio	21.533

TIRES	
Type	Tubeless, loader design tires
Standard	20.5R25 L3, ★★
Options Include	20.5-25, L3 16PR
	20.5-25, L5 16PR
	20.5R25 XHA ★

BRAKES	
Service Brakes	Hydraulically actuated, wet disc brakes actuate all 4 wheels independent axle-by-axle system. Self adjusting & wheel speed brake.
Parking Brake	Spring-applied, hydraulically released brake
Emergency Brake	When brake oil pressure drops, indicator light alerts operator and parking brake automatically applies.

STEERING SYSTEM (STEERING PUMP)	
Type	Load sensing hydrostatic articulated steering
Pump	Variable displacement piston pump, 149 lpm
System Pressure	210 bar (3,046 psi)
Cylinder	Double acting 2-65 x 429 mm (2.6" x 16.9")
Steering Angle	40° to both right and left angle, respectively
Features	Center-point frame articulation. Tilt and telescopic steering column.

SERVICE REFILL CAPACITIES	
Fuel Tank	220.0 liters (58.1 US gal)
DEF Tank	30.1 liters (8.0 US gal)
Cooling System	37.0 liters (9.8 US gal)
Crankcase	18.0 liters (4.8 US gal)
Transmission	35.0 liters (9.2 US gal)
Front Axle	23.0 liters (6.1 US gal)
Rear Axle	23.0 liters (6.1 US gal)
Hydraulic Tank	90.0 liters (23.8 US gal)
Hydraulic System (Including Tank)	130.0 liters (34.3 US gal)

CABIN	
ROPS / FOPS meet ISO 3471 and ISO 3449	

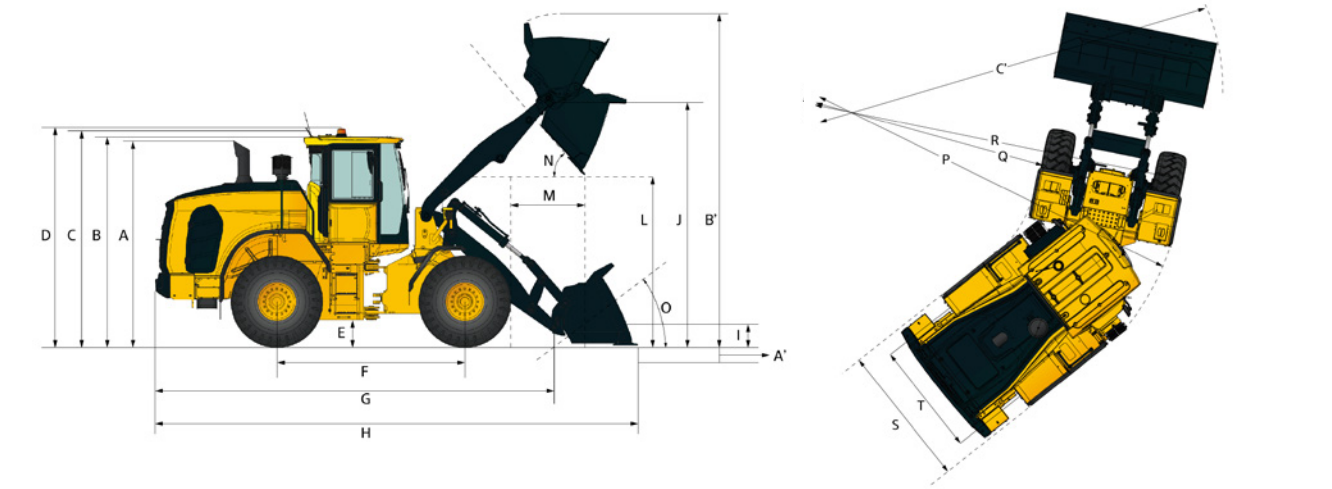
SOUND	
Guaranteed noise level presented below can be differed depending on a range of factors such as operating condition, speed of a cooling fan, types of engine and so forth. Hearing protection shall be necessary if an operator is working in the improperly maintained cabin or exposed to a noisy environment by leaving doors and/or windows open.	
Operator sound pressure level (ISO 6396:2008)	68 dB(A)
Exterior sound power level (ISO 6395:2008)	108 dB(A)

* Distance of 15m (49.2 ft), moving forward in second gear ratio.

OVERVIEW		HL940A TM	
Operating weight	kg (lb)	13,800 (30,425)	
Bucket capacity	Heaped	m³ (yd³)	2.30 (3.00)
	Struck	m³ (yd³)	2.00 (2.60")
Breakout force-bucket	kg (lb)	10,830 (23,880)	
Tipping Load	Straight	kg (lb)	8,880 (19,580)
	Full	kg (lb)	7,640 (16,845)

DIMENSIONS & SPECIFICATIONS

DIMENSIONS



Unit : mm (ft · in)

MODEL	HL940A TM
A Height to Top of Exhaust Pipe	3,310 (10' 10")
B Overall height (Height to Top of Cabin)	3,300 (10' 10")
C Height to Top of Product Link Antenna	3,445 (11' 4")
D Height to Top of Warning Beacon	3,430 (11' 3")
E Ground Clearance	417 (1' 4")
F Wheelbase	3,000 (9' 10")
G Overall Length (Without Bucket)	6,545 (21' 6")
H Shipping Length (With Bucket Level on Ground)	7,805 (25' 7")
I Hinge Pin Height at Carry Position	425 (1' 5")
J Hinge Pin Height at Maximum Lift	3,980 (13' 1")

MODEL	HL940A TM
L Dump Clearance at Maximum Lift and 45° Discharge	2,840 (9' 4")
M Reach at Maximum Lift and 45° Discharge	1,380 (4' 6")
N Dump Angle at Maximum Lift and Dump (on Stops)	50°
O Roll Back Angle	50°
P Clearance Circle (Diameter) to Outside of Tires	10,910 (35' 10")
Q Clearance Circle (Diameter) to Inside of Tires	5,910 (17' 0")
R Turning radius (center of outside tire)	5,190 (17' 10")
S Width Over Tires (Unloaded)	2,450 (8' 0")
Overall Width (With bucket)	2,550 (8' 4")
T Tread Width	1,930 (6' 4")
Gradeability	30°

OPERATING SPECIFICATIONS WITH BUCKETS

		Tool Master HCE QC	Tool Master ISO QC
		General Purpose - Hook on Bolt-On Cutting Edges	General Purpose - Hook on Bolt-On Cutting Edges
Capacity - Rated	m³ (yd³)	2.3 (3.00)	2.3 (3.00)
Capacity - Rated at 110% Fill Factor	m³ (yd³)	2.5 (3.30)	2.5 (3.30)
Width	mm (ft/in)	2,550 (8' 4")	2,600 (8' 6")
Dump Clearance at Maximum Lift & 45° Discharge	mm (ft/in)	2,840 (9' 4")	2,720 (8' 11")
Reach at Maximum Lift & 45° Discharge	mm (ft/in)	1,380 (4' 6")	1,500 (4' 11")
A' Digging Depth	mm (ft/in)	95 (0' 4")	95 (0' 4")
H Shipping Length (with Bucket)	mm (ft/in)	7,805 (25' 7")	7,975 (26' 2")
B' Overall Height with Bucket at Maximum Lift	mm (ft/in)	5,265 (17' 3")	5,575 (18' 3")
C' Loader Clearance Circle with Bucket at Carry Position	mm (ft/in)	12,200 (40' 0")	12,330 (40' 5")
Static Tipping Load. Straight (No Tire Deflection)	kg (lb)	8,880 (19,580)	8,330 (18,365)
Static Tipping Load. Articulated (No Tire Deflection)	kg (lb)	7,640 (16,845)	7,160 (15,790)
Breakout Force	kg (lb)	10,830 (23,880)	9,510 (20,970)
Operating Weight*	kg (lb)	13,800 (30,425)	13,900 (30,645)

BUCKET SELECTION CHART

DENSITY OF OPERATING MATERIALS		
Loose Material	Material Density [ton / m ³]	
Earth / Clay	1.5 ~ 1.7	
Sand and Gravel	1.5 ~ 1.7	
Aggregate	25 ~ 76 mm (1 " to 3 in)	1.6 ~ 1.7
	19mm (3 in) and Larger	1.8

HL940A TM BUCKET SELECTION CHART

Standard Lift Arm - General Purpose Bucket

Type	m ³ (yd ³)	Material Density [ton / m ³]													
		1.0	1.1	1.2	1.3	1.4	1.5	1.6	1.7	1.8	1.9	2.0	2.1	2.2	2.3
Tool Master HCE QC mounted Cutting edge	2.3 (3.00)	2.6 m ³ (3.43 yd ³)						2.2 m ³ (2.87 yd ³)							
Tool Master ISO QC mounted Cutting edge	2.3 (3.00)	2.6 m ³ (3.43 yd ³)						2.2 m ³ (2.87 yd ³)							

115% 100% 95%

CHANGE IN OPERATING SPECIFICATIONS - TIRES

Tires		20.5-25 L3 16PR	20.5-25 L5 16PR	20.5R25 XHA ★
Operating Weight (kg)	kg	-108	+440	-52
	lb	-235	+975	-110
Static Tipping Load, Straight (No Tire Deflection)	kg	-75	+300	-35
	lb	-165	+665	-75
Static Tipping Load, Articulated (No Tire Deflection)	kg	-60	+260	-30
	lb	-130	+575	-65
Vertical Height Changes	mm	-3	+65	-7
	ft/in	-0.1"	+3"	-0.3"
S. Width Over Tires (Unloaded)	mm	-6	+27	-6
	ft/in	-0.2"	+1.1"	-0.2"
P. Clearance Circle (Diameter) to Outside of Tires	mm	-6	+27	-6
	ft/in	-0.2"	+1.1"	-0.2"
Q. Clearance Circle (Diameter) to Inside of Tires	mm	+6	-27	+6
	ft/in	+0.2"	-1.1"	+0.2"

** Dimension changes compared to 20.5R25 L3 ★★ radial tires.

STANDARD / OPTION

CAB & INTERIOR	STD	OPT	CAB & INTERIOR	STD	OPT
ALARMS, AUDIBLE AND VISUAL			SWITCHES		
Air filter clogging	●		Hazard	●	
Battery voltage	●		DPF	●	
Brake oil pressure	●		Engine hood open	●	
DEF low level	●		Parking	●	
Engine coolant level	●		Battery master switch	●	
Engine oil pressure	●		FNR shifter	●	
Fuel level	●		Pilot cut off	●	
Hydraulic oil temperature	●		Differential Lock foot switch		●
Engine coolant temperature	●		Emergency steering		●
Parking brake	●		Air compressor		●
Service brake oil pressure	●		IGNITION		
Seat belt ON/OFF	●		Key	●	
Transmission error	●		Button		●
Transmission oil temperature	●		CABIN (SOUND SUPPRESSED)		
BATTERIES			ROPS/ FOPS Cabin	●	
850 CCA, 12 V, 2 pcs	●		Coat hook	●	
GAUGES			Rear view mirrors (1 Inside)	●	
Diesel Exhaust Fluid (DEF) level	●		Rear view mirrors (2 Outside, heated)	●	
Engine coolant temperature	●		Steering column, tilt and telescopic	●	
Fuel level	●		Steering wheel with knob	●	
Speedometer	●		Roller type sunshade (Front window)	●	
Transmission oil temperature	●		Roller type sunshade (Rear window)		●
Horn, electric	●		Tinted safety glass	●	
INDICATOR LIGHTS			One door cabin	●	
Parking brake	●		Magazine pocket	●	
High beam	●		Radio / USB player	●	
Pilot cut off	●		Rubber floor mat	●	
Turning light	●		Wrist rest & Armrest	●	
Seat belt ON/OFF	●		24 V to 12 V DC converter (20 A)	●	
Engine auto stop	●		Cigar lighter & ashtray		●
Clutch Cut Off	●		DOOR		
Ride control		●	Door and Cabin Locks, One Key	●	
Joystick steering		●	Doors, Service Access (Locking)		●
FNR		●	Doors, Service Access (Remote Control)		●
Differential Lock		●	AUTOMATIC CLIMATE CONTROL		
LCD DISPLAY			Air conditioner & heater	●	
DEF level	●		Defroster	●	
DEF low level	●		Intermittent wiper and washer, front and rear	●	
Transmission gear range	●		SEAT		
Clock and fault code	●		2" REtractable Seat Belt & Adjustable Mechanical Suspension (HEated)	●	
Job time and distance	●		2" REtractable Seat Belt & Adjustable Air Suspension (HEated)		●
Operating hour counter	●		3" REtractable Seat Belt & Adjustable Air Suspension (HEated)		●
Engine rpm	●		PERSONAL STORAGE SPACE		
Horn, electric	●		Console Box	●	
LIGHTING SYSTEM			Holder, Can and Cup	●	
Brake lights(Counterweight)	●		PEDALS		
LED dome light	●		One Accelerator Pedal	●	
2 stop and tail lights	●		One Brake Pedal	●	
4 turn signals	●		Dual-Brake Pedal		●
2 Head lights on front tower	●		Accel Pedal Without ECO Switch	●	
2 Head lights (LED) on front tower		●	Accel Pedal With ECO Switch		●
2 Working lights on front roof	●				
4 Working lights on front roof		●			
2 Working lights on rear roof		●			
4 Working lights (LED) on front roof		●			
2 Working lights (LED) on rear roof		●			
2 Working lights on grill	●				
2 Working lights (LED) on grill		●			

STANDARD / OPTION

MEMO

ENGINE	STD	OPT
Alternator, 95A	●	
Antifreeze	●	
Fuel warmer (Single)	●	
Fan guard	●	
Rain cap, engine air intake	●	
Coolant level sight gauge	●	
Centrifugal air precleaner		●
ENGINE, CUMMINS, B6.7		
EU STAGE V / EPA TIER 4 FINAL	●	
Engine fuel priming pump	●	
Fuel / water separator	●	
Radiator	●	
Engine oil level dipstick gauge	●	
CLEAN EMISSION MODULE		
DOC, DPF and SCR	●	
POWER TRAIN		
Transmission F4 / R3, computer controlled, electronic soft shift, auto-shift and kick-down features included	●	
Torque converter	●	
Transmission oil sight level	●	
Transmission oil cooler	●	
Travel speed limiter (20-40 km/h)	●	
FRONT AXLE		
Open differential	●	
Limited slip differential		●
Hydraulic lock differential		●
REAR AXLE		
Open differential	●	
Limited slip differential		●
BRAKE		
Service brake (Enclosed wet-disk)	●	
Parking brake	●	
TYRES		
20.5R25 L3 ★★	●	
20.5-25 L3 16PR		●
20.5-25 L5 16PR		●
20.5R25 XHA ★		●
HYDRAULIC SYSTEM		
Boom kickout, automatic	●	
Bucket positioner, automatic	●	
Diagnostic pressure taps	●	
Hydraulic oil cooler	●	
Hydraulic oil level sight gauge	●	
EH Control (Joystick)	●	
EH Control (Fingertip)		●
EH Joystick Steering		●
Ride control system		●
Secondary steering system		●
Extra piping-for auxiliary function		●
Quick coupler piping	●	
Auto grease system		●
Hyundai Bio Hydraulic Oil (HBHO)		●

SAFETY	STD	OPT
Emergency Stop	●	
Emergency steering		●
Rear View Camera		●
Fire extinguisher		●
Boom safety bar		●
OBJECT DETECTION		
AAVM (AVM + IMOD)		●
Radar + Secondary Monitor		●
OTHER		
Articulation locking bar	●	
Lift and tie-down hooks	●	
Loader linkage, sealed	●	
Vandalism protection caplocks	●	
E-Horn	●	
Tool kit		●
BUCKET		
2.3 m³ Bolt-on Cutting Edge HCE Type Hook On Bucket	●	
2.3 m³ Bolt-on Cutting Edge ISO Type Hook On Bucket		●
COUNTERWEIGHT		
Counterweight	●	
Drawbar with pin	●	
ERGONOMICALLY LOCATED AND SLIP RESISTANT, LEFT & RIGHT		
Handrails	●	
Ladders	●	
Platforms	●	
Steps	●	
GUARDS		
Fenders (Front / Rear)	●	
Crankcase		●
Transmission		●
Mud Guard		●
TELEMETICS		
ECD (Engine connected Diagnostics)	●	
Hi MATE		●

- * Standard and optional equipment may vary. Contact your Hyundai dealer for more information. The machine may vary according to International standards.
- * The photos may include attachments and optional equipment that are not available in your area.
- * Materials and specifications are subject to change without advance notice.
- * All imperial measurements rounded off to the nearest pound or inch.